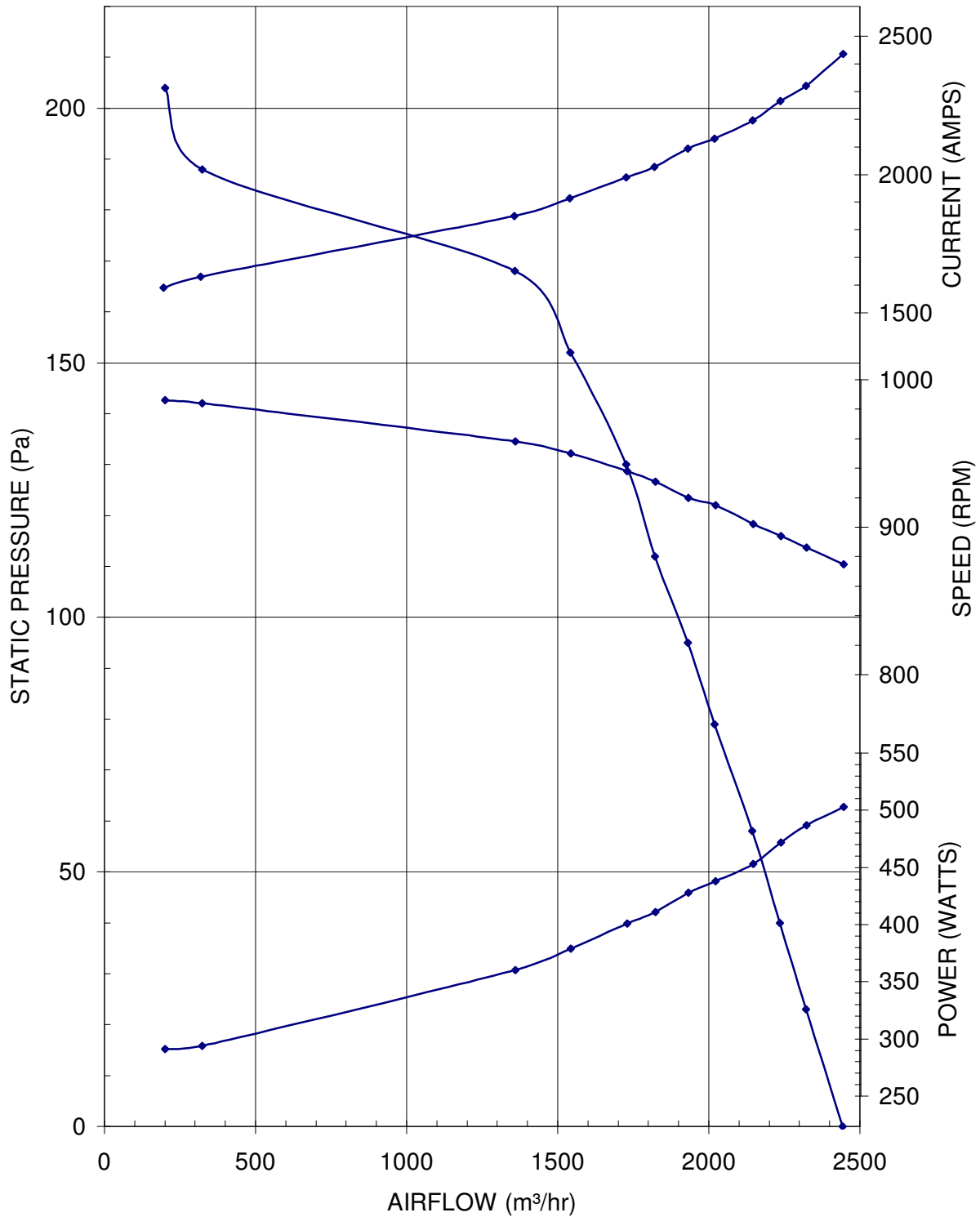
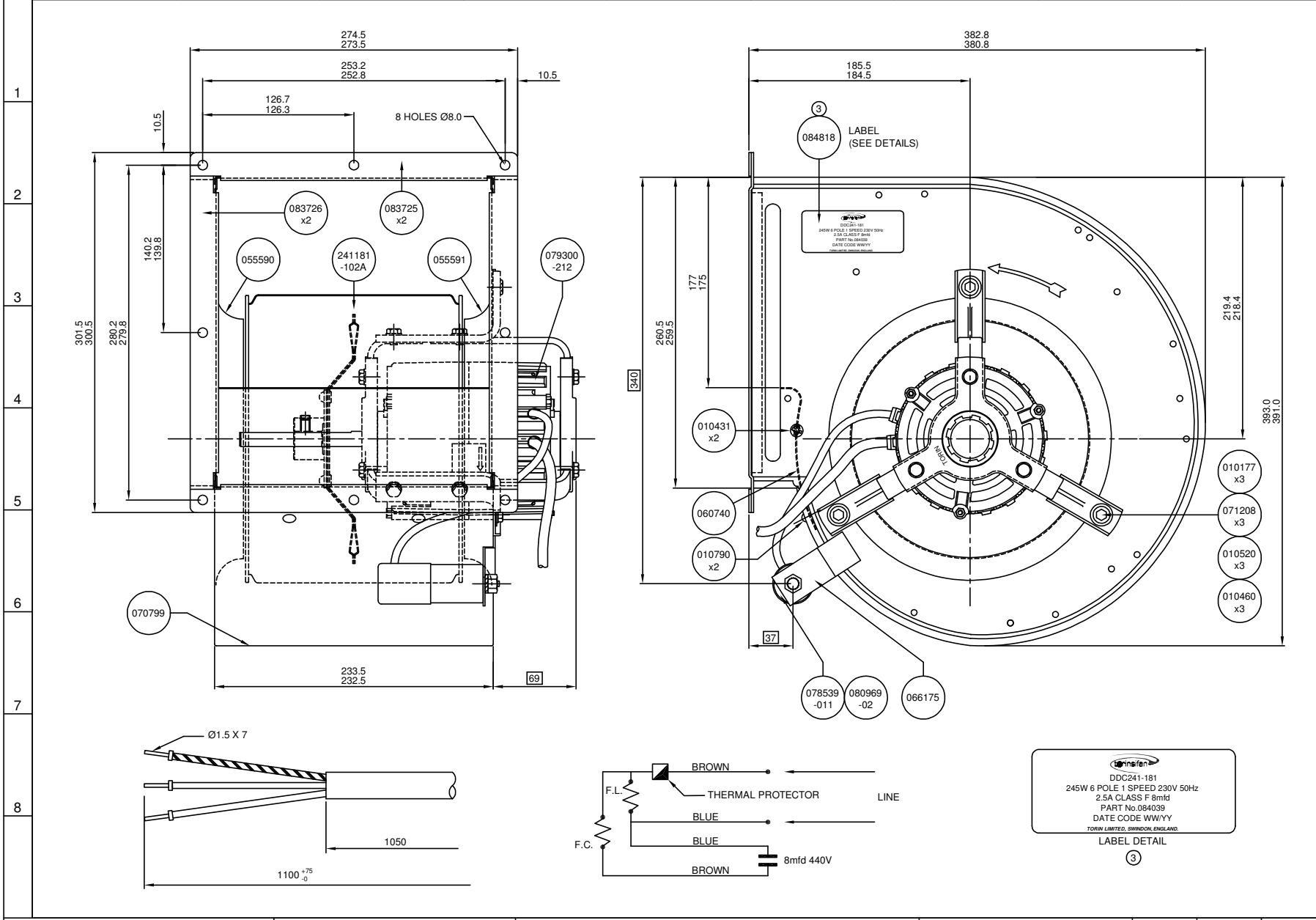


DDC241-181-245W-6P-1SP
230V 50Hz 8MFD 1,5A





| | | | | | | |
|--|-------------------|----------|---------|--|--|--|
| | | | | | | |
| 3 | NEW LABEL DETAILS | 08/11/06 | 17062 | | | |
| 2 | | 10/08/04 | 16458 | | | |
| A | ISSUED | 16/07/02 | | | | |
| ISS. MODIFICATION | | DATE | C/N NO. | | | |
| MATERIAL | | | | | | |
| SEE DETAILS | | | | | | |
| FINISH | | | | | | |
| GALV | | | | | | |
| FIRST USED ON | | | | | | |
| SIMILAR TO | | | | | | |
| DIRECTORY PATH | | | | | | |
| ASY / DDC / 241-181 / WF / 084039 | | | | | | |
| TITLE | | | | | | |
| ASY DDC241-181 245W 6 POLE 1 SPEED 230V 50Hz CLF | | | | | | |
| DRAWING NO. | | | | | | |
| 084039 | | | | | | |

Torin Limited
Drakes Way
Swindon Wiltshire
SN3 3JB
Tel : (01793) 524291

THIS DRAWING AND SPECIFICATIONS IS THE EXCLUSIVE PROPERTY OF TORIN LIMITED, ISSUED IN STRICT CONFIDENCE AND SHALL NOT BE REPRODUCED, COPIED OR USED FOR ANY REASON OTHER THAN WHICH IT IS ISSUED, WITHOUT THE WRITTEN PERMISSION OF TORIN LIMITED.

● TORIN LIMITED

PROJECTION

DRAWING GENERALLY CONFORMS TO BS 8888

ALL BS TO LATEST ISSUE

| | | | |
|------|----------|------|----|
| DR. | DA | AP. | A2 |
| DATE | 08/11/06 | DATE | |

DIMENSIONS IN MILLIMETRES

SCALE: N.T.S.
(UNLESS OTHERWISE STATED)

084039

DRAWING NO.