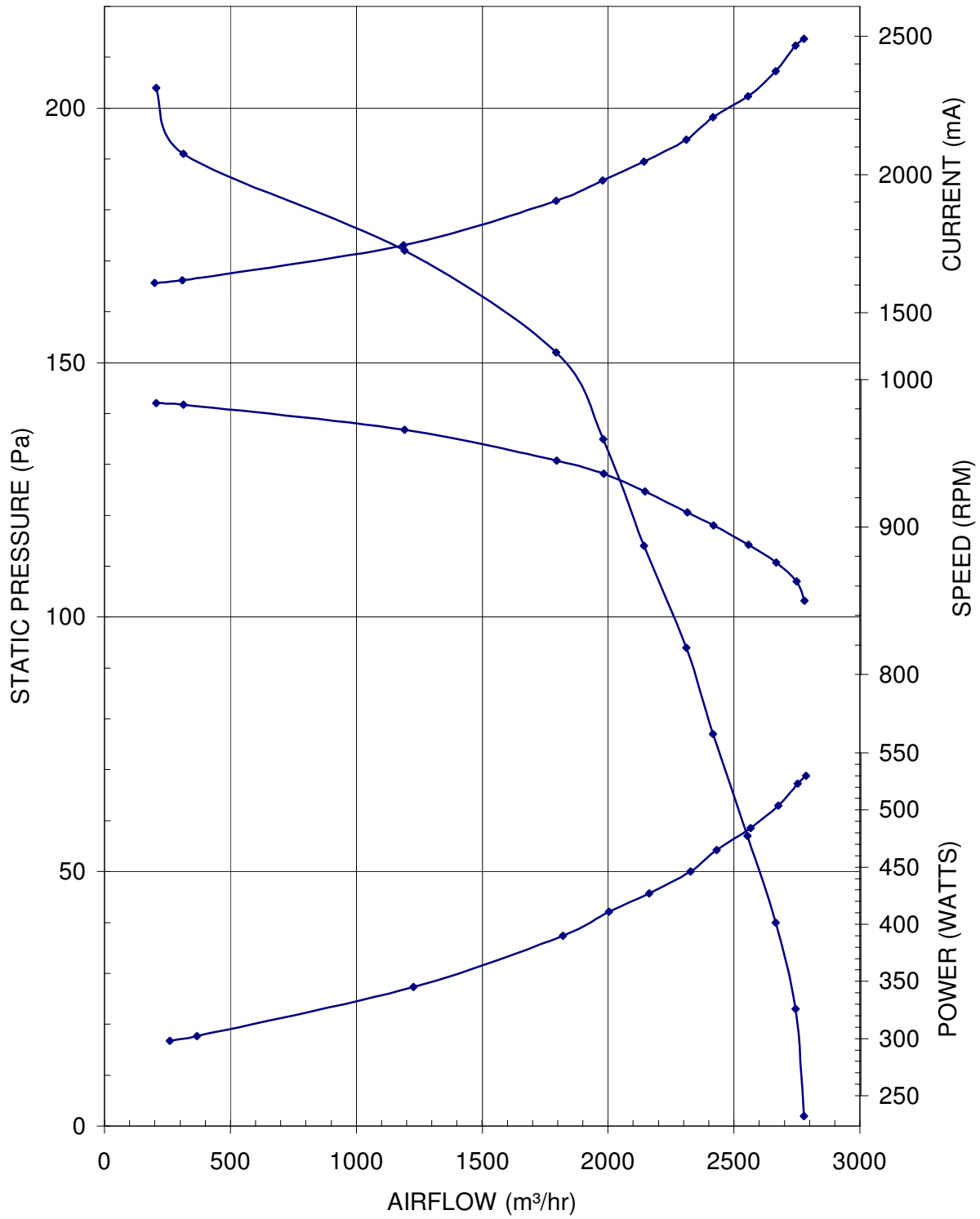
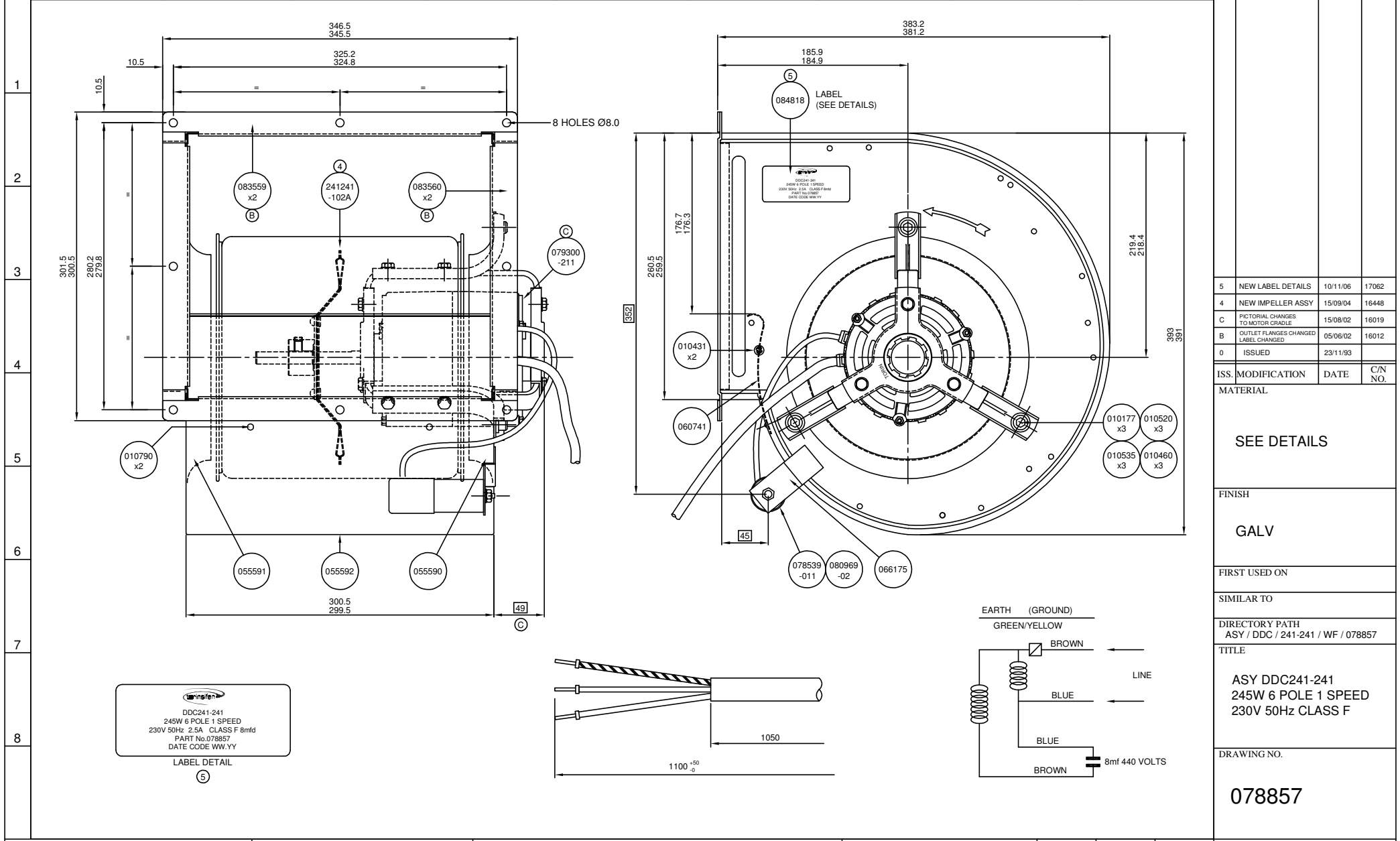


DDC241-241-245W-6P-1SP
230V 50Hz 8MFD 2,4A





ISS. MODIFICATION	DATE	C/N NO.
5	NEW LABEL DETAILS	10/11/06 17062
4	NEW IMPELLER ASSY	15/09/04 16448
C	PICTORIAL CHANGES TO MOTOR GRADLE	15/08/02 16019
B	OUTLET FLANGES CHANGED LABEL CHANGED	05/06/02 16012
0	ISSUED	23/11/93

MATERIAL

SEE DETAILS

FINISH

GALV

FIRST USED ON

SIMILAR TO

DIRECTORY PATH
ASY / DDC / 241-241 / WF / 078857

TITLE

ASY DDC241-241
245W 6 POLE 1 SPEED
230V 50Hz CLASS F

DRAWING NO.

078857

Torin Limited
Drakes Way
Swindon Wiltshire
SN3 3JB
Tel : (01793) 524291

THIS DRAWING AND SPECIFICATIONS IS THE EXCLUSIVE PROPERTY OF TORIN LIMITED. ISSUED IN STRICT CONFIDENCE AND SHALL NOT BE REPRODUCED, COPIED OR USED FOR ANY REASON OTHER THAN WHICH IT IS ISSUED, WITHOUT THE WRITTEN PERMISSION OF TORIN LIMITED.

● TORIN LIMITED

PROJECTION

DRAWING GENERALLY CONFORMS TO BS 8888

ALL BS TO LATEST ISSUE

DR. DA	AP.	A2
DATE 10/11/06	DATE	

DIMENSIONS IN MILLIMETRES

SCALE: N.T.S.
(UNLESS OTHERWISE STATED)

78857

DRAWING NO.