

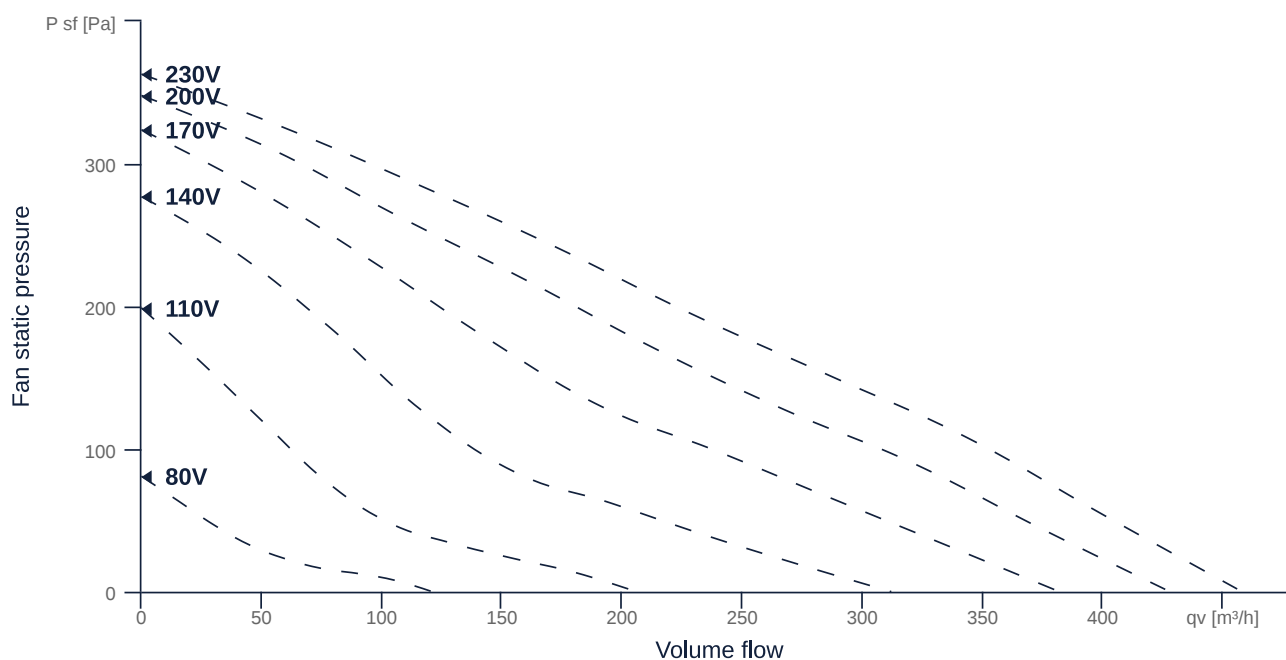
# RS 160 10

134986

- Compact radial fan
- Backward curved impeller
- Sheet steel housing, RAL 7035, powder coated
- Robust single phase AC motor, steplessly controllable
- Conveyed medium temperature up to 70 °C in continuous operation
- Integrated thermal switch



## MAP



**GENERAL DATA**

Name	Value	Unit	Formula symbol
Duct size	-		WxH <sub>duct</sub>
Pipe connection size (DN)	DN160		DN
Electrical protection (entire device)	20 A		fuse
Housing material	Steel		mat <sub>casing</sub>
Impeller material	Plastic		mat <sub>impeller</sub>
IP-protection class (entire device)	IPX4		IP <sub>compl</sub>
IP-Protection class terminal box	IP44		IP <sub>ebox</sub>
Weight	2.98	kg	m
Nominal air flow rate, nominal point m <sup>3</sup> /h	270	m <sup>3</sup> /s	q <sub>Vnom</sub>
Nominal external pressure, static	162	Pa	p <sub>ext</sub>
Fan type	Radial		F <sub>an</sub> <sub>type</sub>
Category / Installation situation	A		cat
Sound insulation	No		snd <sub>ins</sub>
Rated voltage (entire device)	230.000000		U <sub>rated</sub>
Phases (entire device)	1~		phase

**MAXIMAL DATA**

Name	Value		Unit	Formula symbol
	50 Hz	60 Hz		
Max. power consumption (device)	49	63	W	P <sub>ed, max</sub>
Max. operating current (device)	0.31	0.36	A	I <sub>ed, max</sub>
Max. speed	2750	3180	1/min	n <sub>max</sub>
Max. stat. efficiency	24.6	23.6	%	η <sub>es</sub>
Max. fan efficiency	25.1	23.9	%	η <sub>e</sub>
Max. flowrate	460	490	m <sup>3</sup> /h	q <sub>v, max</sub>
Max. stat pressure	360	480	Pa	p <sub>st, max</sub>
Max. medium temperature	70	70	°C	T <sub>m, max</sub>
Max. environment temperature	70	70	°C	T <sub>amb, max</sub>
Min. environment temperature	-25	-25	°C	T <sub>amb, min</sub>
Min. voltage	80	80	V	U <sub>min</sub>
Stall current	0.37	0.37	A	I <sub>LRA</sub>

# RS 160 10

134986

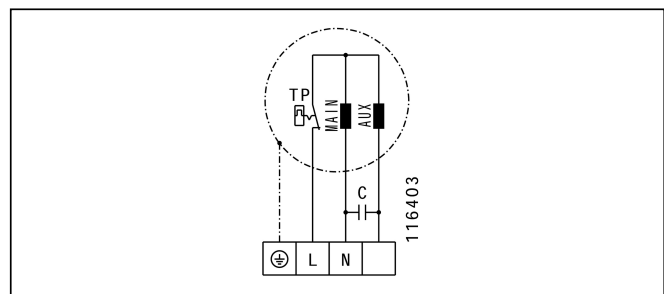
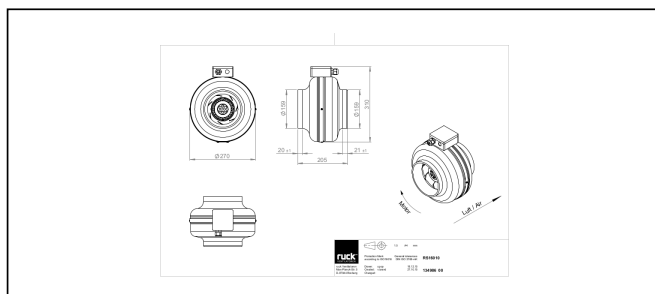
## MOTOR DATA

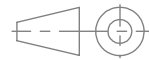
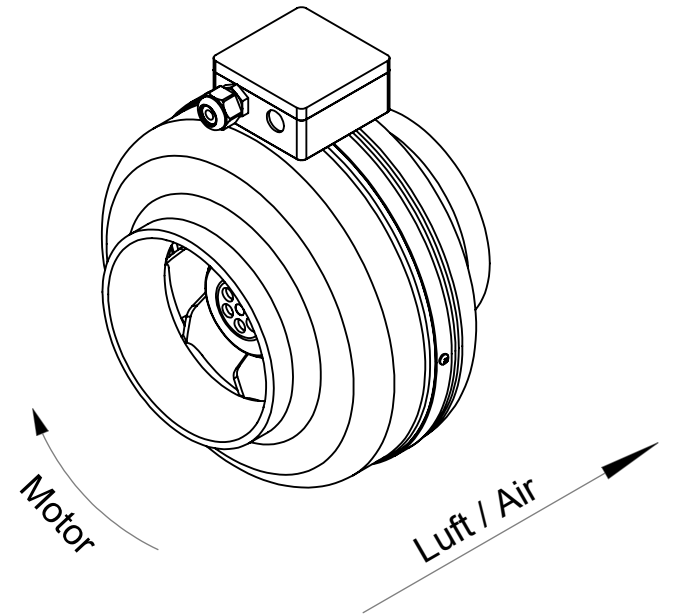
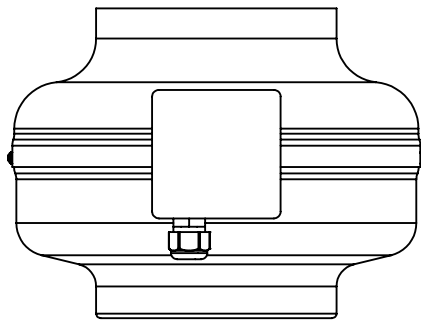
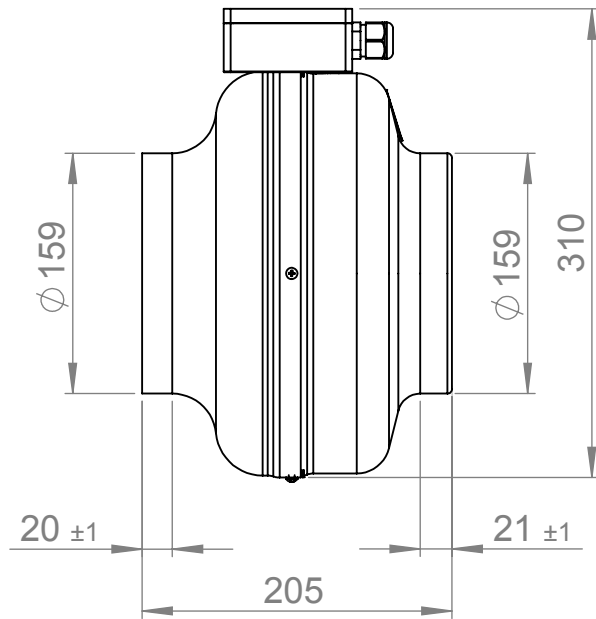
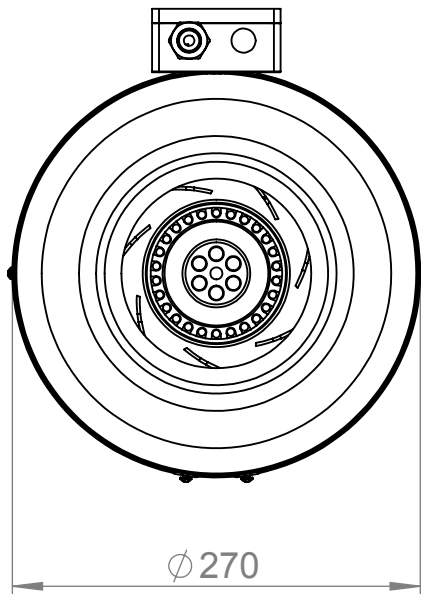
Name	Value		Unit	Formula symbol
	50 Hz	60 Hz		
Rated frequency (device)	50.000000			f
Motor type	AC 1~			phase
Control type	stepless-controlled			ctrltype
Installation	ORM (Out)			install
Rotation direction	right			rotation
Isolation class	ISO F			ISOclass
Motor-protection	TMI			protectmotor
Protection class	IP33			IPmotor
Is pole-changeable	No			polexch
Type of power supply	AC 1~			pwrsupmotor
Capacity condenser	2		μF	Ccond
Voltage condenser	400		V	VUcond
Number of poles (1)	2.000000			num polesw1
Rated voltage	230		V	U <sub>rated, f1</sub>
Rated current	0.23		A	I <sub>rated, f1</sub>
Speed	2373		1/min	n <sub>f1</sub>
Efficiency	27.7		%	η <sub>m, f1</sub>
Min. temperature	-30		°C	T <sub>motor, min</sub>
Cos Phi	0.990000	0.000000		cos φ

## PRODUCT INFORMATION

Name	Value	Unit	Formula symbol
Category / Installation situation	A		cat
Fan type	Radial		Fantype

## SCHALTPLÄNE / MASSZEICHNUNGEN





1:5 A4 mm

**ruck**<sup>EU</sup>  
VENTILATOREN

Protection Mark  
according to ISO16016

General tolerances  
DIN ISO 2768-mK

**RS16010**

ruck Ventilatoren  
Max-Planck-Str. 5  
D-97944 Boxberg

Drawn: s.pop  
Created: v.brand  
Changed:

18.12.15  
27.10.15

**134986 00**