

EL 200L E2 01

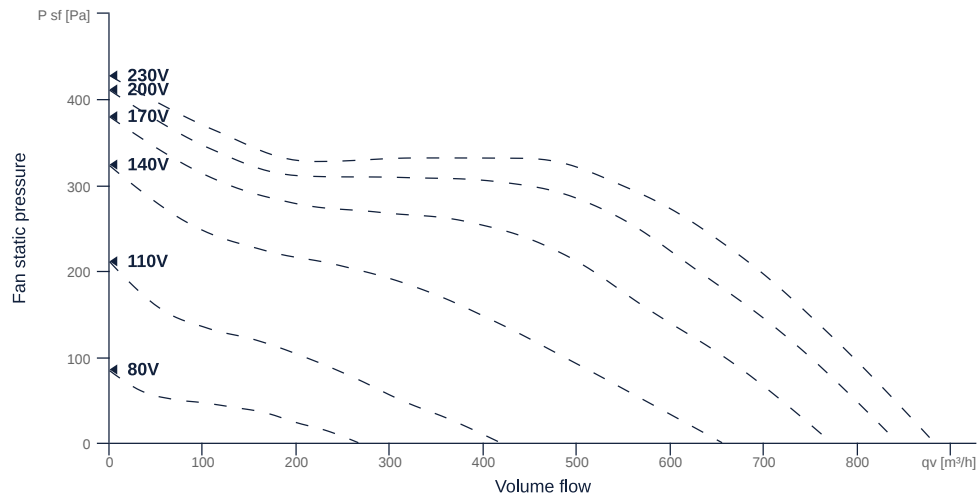
125324

- Innovative, high-efficiency diagonal fan
- Optimally tuned, CFD-optimized aerodynamics
- The benchmark for efficiency since 2007
- Robust single phase AC motor
- Conveyed medium temperature up to 80 °C in continuous operation
- Housing made of polyamide



FAN CURVES

Name	Value	Unit
Volume flow	0	m ³ /h
Pressure	0	Pa



GENERAL DATA

Name	Value	Unit	Formula symbol
Labeling	CE, UKCA		
Duct size	-		WxH _{duct}
Pipe connection size (DN)	DN200		DN
Rated voltage (entire device)	230	V	U _{rated}
Phases (entire device)	1~		phase
Electrical protection (entire device)	6 A		fuse
Housing material	Plastic		mat _{casing}
Impeller material	Plastic		mat _{impeller}
IP-protection class (entire device)	IPX4		IP _{compl}
Weight	3.34	kg	m
Fan type	Diagonal		Fan _{type}
Category / Installation situation	A		cat

MAXIMAL DATA

Name	Value	Unit	Formula symbol
Max. power consumption (device)	124	W	P _{ed, max}
Max. operating current (device)	0.62	A	I _{ed, max}
Max. speed	2790	1/min	n _{max}
Max. stat. efficiency	35.4	%	η _{es}
Max. fan efficiency	37.2	%	η _e
Max. flowrate	880	m ³ /h	q _{v, max}
Max. stat pressure	430	Pa	p _{sf, max}
Max. medium temperature	55	°C	T _{m, max}
Max. environment temperature	55	°C	T _{amb, max}
Min. environment temperature	-25	°C	T _{amb, min}
Min. voltage	80	V	U _{min}

MOTOR DATA

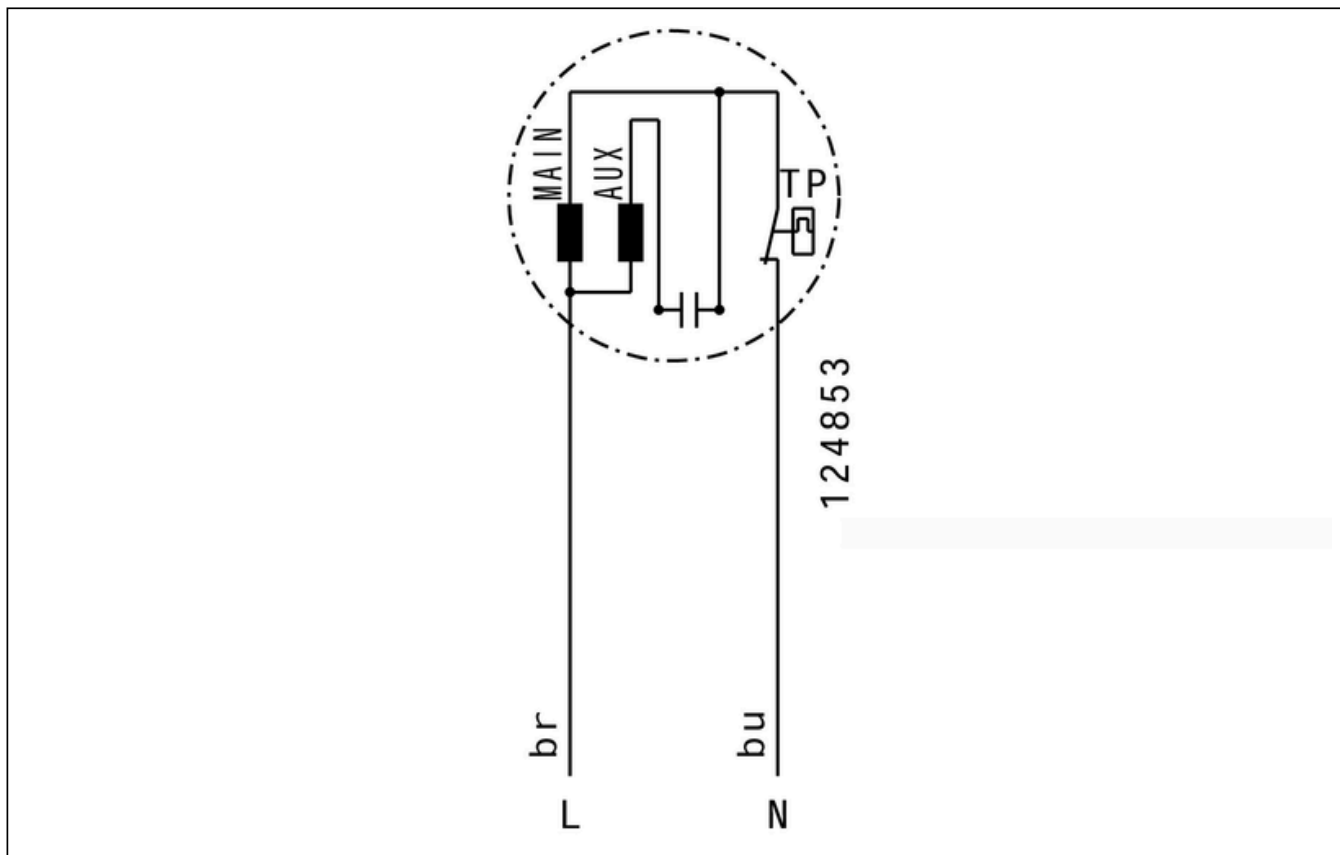
Name	Value		Unit	Formula symbol
	50 Hz	60 Hz		
Rated frequency (device)		50		f
Motor type		AC 1~		phase
Control type		stepless-controlled		ctrltype
Installation type		IRM (In)		install
Rotation direction		right		rotation
Isolation class		ISO F		ISOclass
Motor-protection		TAI		protectmotor
Protection class		IP00		IPmotor
Is pole-changeable		No		polexch
Type of power supply		AC 1~		pwrsupmotor
Capacity capacitor		3.5	μF	Ccond
Voltage capacitor		450	V	VUcond
Number of poles (1)		2.000000		num polesw1
Rated voltage	230		V	Urated, f1
Rated current	0.5		A	Irated, f1
UL-Certification motor		None		ULcert

ERP DATA (LOT11)

Name	Value	Unit	Formula symbol
Speed at the energy efficiency optimum	2618	1/min	n _{opt}
Efficiency level	35.4	%	N
Efficiency category	statisch		cat _{efficiency}
Input power of the motor at the energy efficiency optimum	0.12	kW	P _{e, opt}
Overall efficiency	55.5	%	η _{ges}
Measurement category	A		meas cat
Fan pressure at energy efficiency optimum	303	Pa	p _{f, opt}
Flowrate at energy efficiency optimum	542	m³/h	Q _{v, opt}

EL 200L E2 01

125324

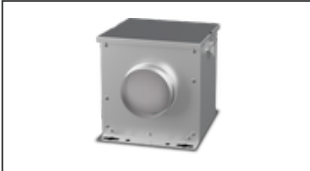


EL 200L E2 01

125324

MECHANICAL ACCESSORIES

FV 200 | 112832



- Air filter box with mat filter ISO Coarse 45 % (G3)
- Toggle-type fastener

FT 200 | 112840



- Air filter box for pocket filter
- Toggle-type fastener
- Galvanized steel sheet housing
- Without filter

FTW 200 | 112853



- Air filter box with pocket filter M5
- Integrated warm water heating coil
- Galvanized steel sheet housing
- Toggle-type fastener

RSK 200 | 102662



- Back draught shutter for tube fitting
- Galvanized steel sheet housing
- Aluminum flaps

RSK 200D | 113487



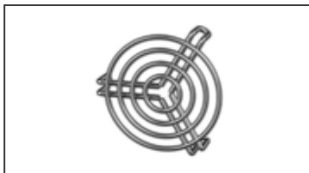
- Back draught shutter for tube fitting
- Galvanized steel sheet housing
- Aluminum flaps
- Integrated gasket

VM 200 | 102650



- Fast clamps for sound decoupling and sealing
- Galvanized steel sheet, 5 mm Neopren gasket
- 1 Pack = 2 pieces

SG 200 01 | 169589



- Protection grille for tube connection
- Galvanized wire

SDS 200 | 169606



- Rigid tube silencer
- Galvanized steel sheet
- Sound insulation packing 50 mm (mineral wool)

SDF 200 | 169643



- Flexible tube silencer
- Galvanized steel sheet
- Sound insulation packing 50 mm

ELECTRICAL ACCESSORIES

GS 01 | 102787



- Isolator switch
- U_{max} = 400 V, 50/60 Hz
- Switching capacity 400 V 3~ = 7,5 kW
- I_{max} = 25 A

TEE 015 | 115893

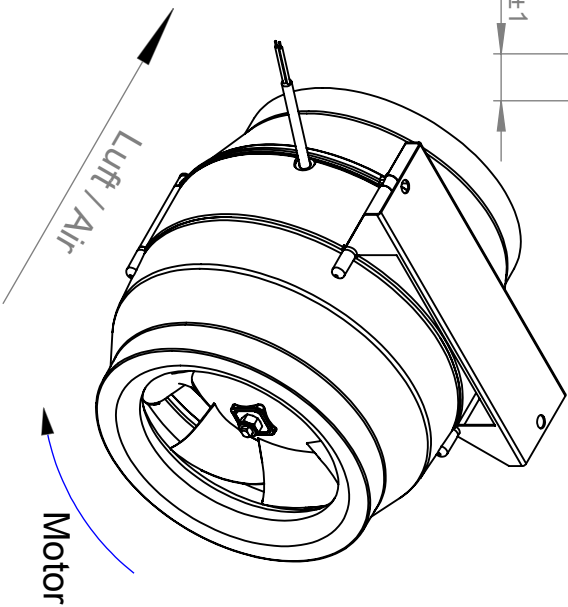
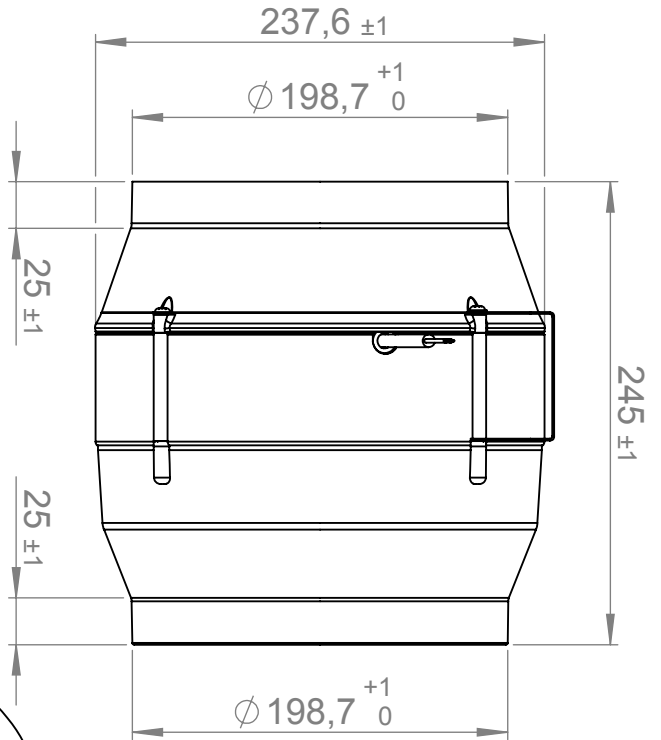
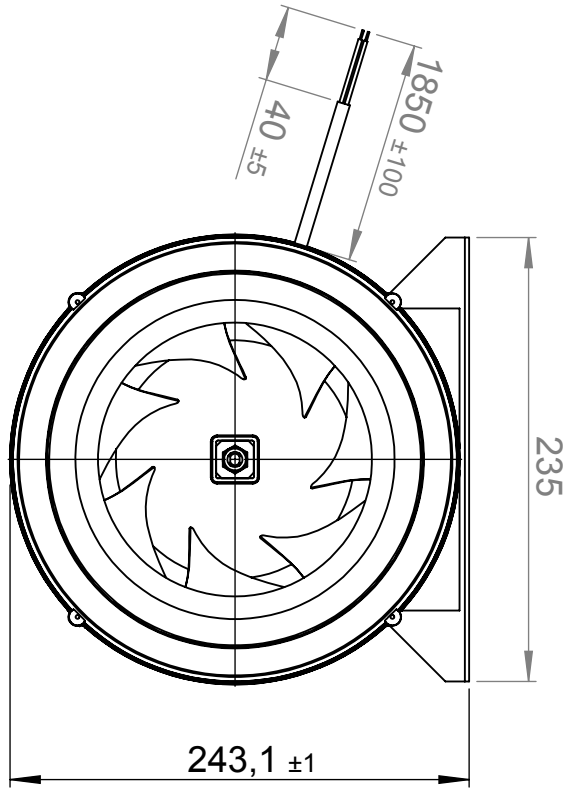
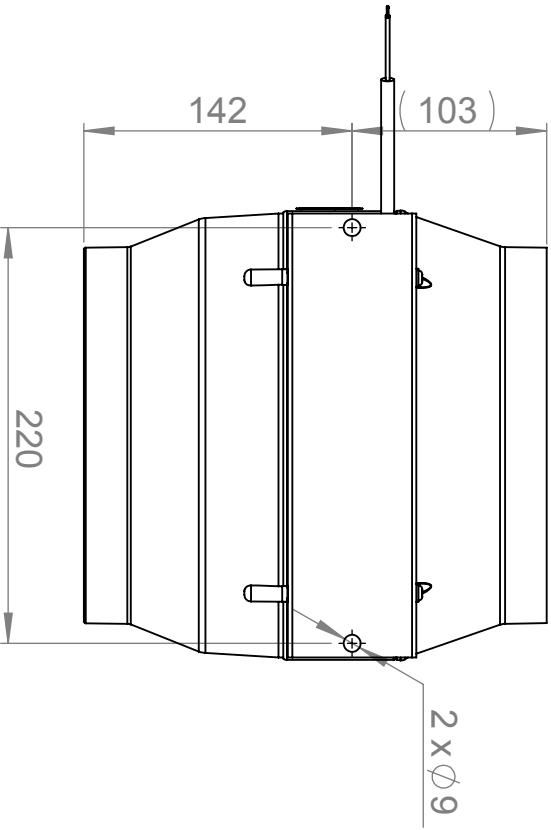


- 5-step transformer
- 230 V ~, 50/60 Hz

TES 0145 | 169581



- Step transformer
- 230 V ~, 50/60 Hz



ruck

ruck Ventilatoren
Max-Planck-Str. 5
D-97944 Boxberg



1:4 A4 mm

Protection Mark
according to ISO 16016

General tolerances
DIN ISO 2768-c

Created m.deissler

31.01.2012

Drawn m.deissler

31.01.2012

Released

Disabled

EL200LE201+

125324 00