

FANS FOR ROUND DUCTS

Series
VENTS Boost 200



Series
VENTS Boost 355-400



Inline fans in a polymer casing with the air flow of up to **3350 m³/h**

■ **Application**

The units are intended for supply, exhaust and supply and exhaust ventilation systems requiring a powerful air flow: commercial, office and other public or industrial premises as well as rooms with high humidity. The fans are compatible with Ø 200, 355 and 400 mm air ducts.

■ **Design**

The casing is made of polymer (for models 355 and 400, the casing is additionally reinforced with a metal

housing). Due to the conically-shaped polymer impeller with specially profiled blades the air stream circular velocity increases, which results in higher air flow and pressure as compared to characteristics of standard axial fans.

The specially designed diffuser, impeller and airflow rectifier at the fan outlet provide smooth air flow distribution and enable the best combination of high air flow, increased pressure and low noise. The fan casing is equipped with an airtight terminal box for connection to power mains.

■ **Motor**

The VENTS Boost fans are equipped with single-phase high-efficiency three-speed asynchronous motors with low power consumption.

The motor is equipped with thermal switches for overheating protection.

The ball bearings ensure a long service life (about 40 000 hours of continuous operation). The motor ingress protection rating is IPX4.

■ **Speed control**

The three-speed motor can be controlled using a built-in switch (option V) or an external switch P3-5.0 (purchased separately).

■ **Mounting**

The fans can be mounted at any place and at any angle within the ductwork system. Several fans can be installed in one system in parallel to attain higher air flow or in series to increase operating pressure in the system. The fan casing is equipped with fixing brackets for floor, wall or ceiling mounting.

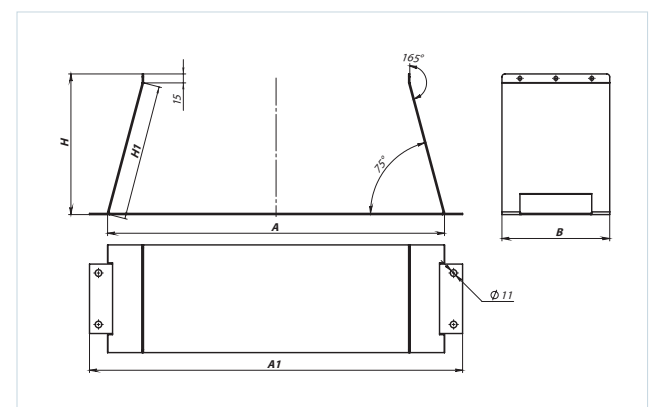
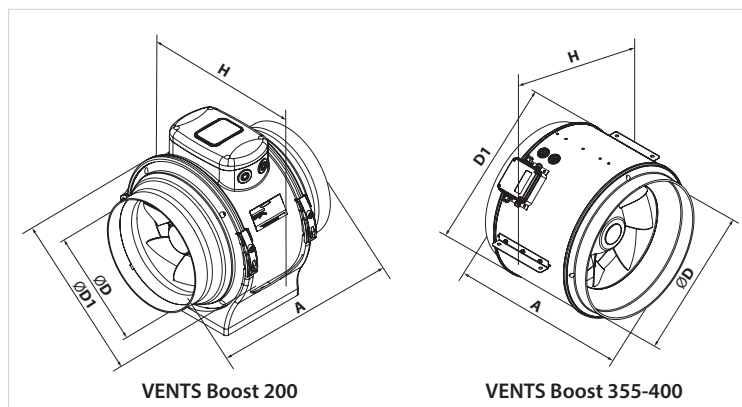
The fans can be mounted using KM-Boost brackets of the appropriate size (purchased separately, available for 355 and 400 models).

Overall dimensions

Model	Dimensions [mm]			
	A	Ø D	D1	H
Boost 200	302	198.5	293	308
Boost 355	388	350	390	450
Boost 400	388	395	441	500

Overall dimensions of brackets

Model	Dimensions [mm]				
	A	A1	H	H1	B
KM-Boost 355	506	567	213	204	180
KM-Boost 400	563	624	235	228	180

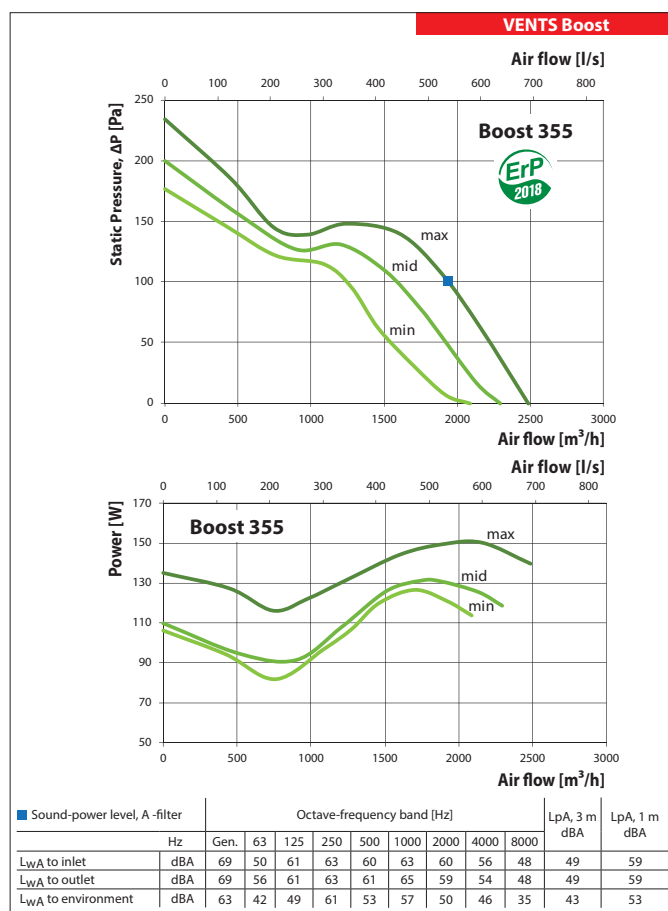
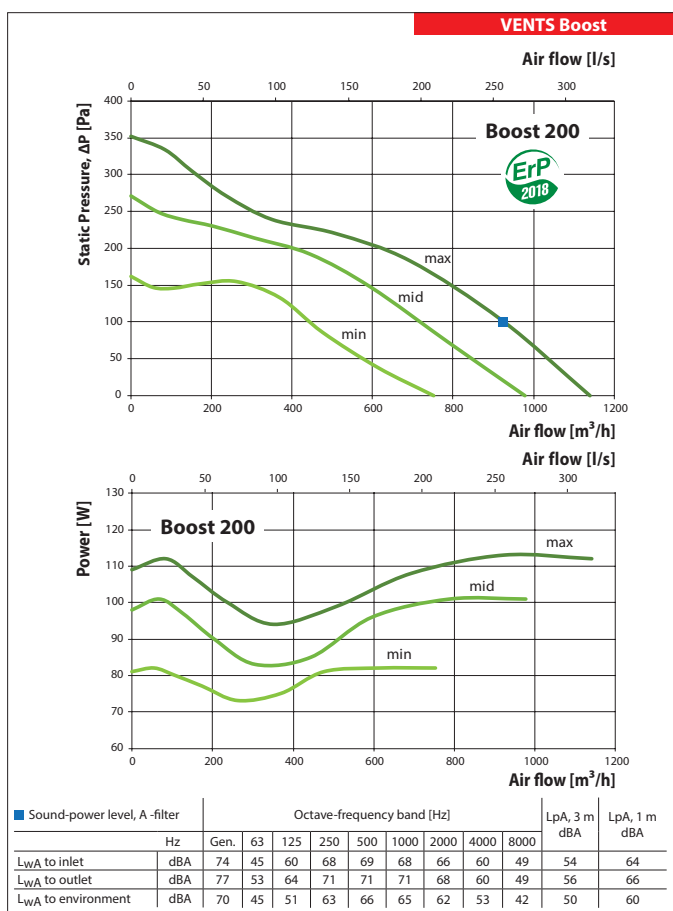


Designation key

Series	Duct diameter	Options
VENTS Boost	200; 355; 400	R : power cord with a mains plug V : step speed controller

Technical data

	Boost 200			Boost 355		
Speed	Min	Mid	Max	Min	Mid	Max
Voltage [V / 50 Hz]	1~230			1~230		
Power [W]	82	101	113	126	131	150
Current [A]	0.37	0.45	0.51	0.60	0.58	0.66
Max. airflow [m ³ /h]	752	978	1140	2090	2296	2485
Max. airflow [l/s]	209	272	317	581	638	690
RPM [min ⁻¹]	1866	2400	2738	1350	1400	1470
Sound pressure level at 3 m distance [dBA]	39	46	50	38	38	43
Maximum transported air temperature [°C]	-25...+55			-25...+55		
Protection rating	IPX4			IPX4		
Motor protection rating	IP44			IP44		



FANS FOR ROUND DUCTS

Technical data

	Boost 400		
	Min	Mid	Max
Speed			
Voltage [V / 50 Hz]		1~230	
Power [W]	197	204	224
Current [A]	0.91	0.90	0.98
Max. airflow [m ³ /h]	2677	3136	3350
Max. airflow [l/s]	744	871	931
RPM [min ⁻¹]	1320	1390	1446
Sound pressure level at 3 m distance [dBA]	40	42	43
Maximum transported air temperature [°C]		-25...+55	
Protection rating		IPX4	
Motor protection rating		IP44	

