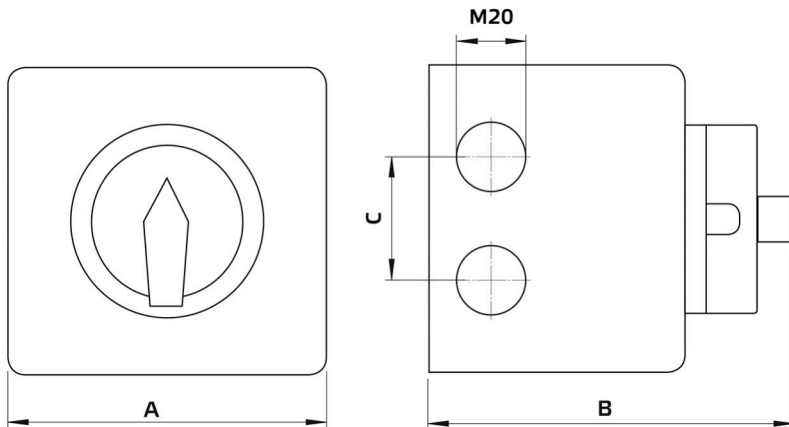


Datasheet

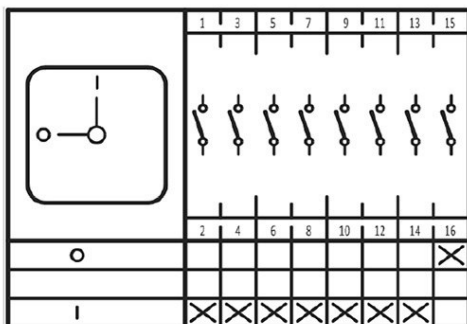
Product type: **Isolator switch**
 Product ID: 107633
 Product name: GS 03



A	mm	86
B	mm	111
C	mm	34
Max. operating current	A	25
Maximum Voltage	V	400
System protection		IP55
pole		6
Main contact		6
Auxiliary contact N/O contact		1
Auxiliary contact N/C contact		1
Weight	kg	0.3

- Isolator Switch
- Switching capacity 400V 3~ = 7,5kW
- Surface mounting
- UV resistant

Wiring diagram:



Assembly:

