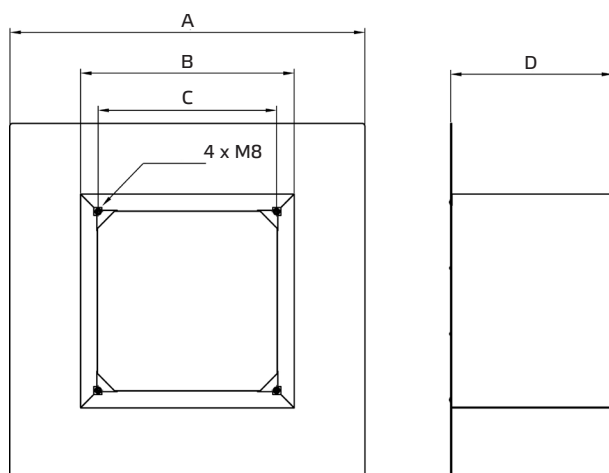


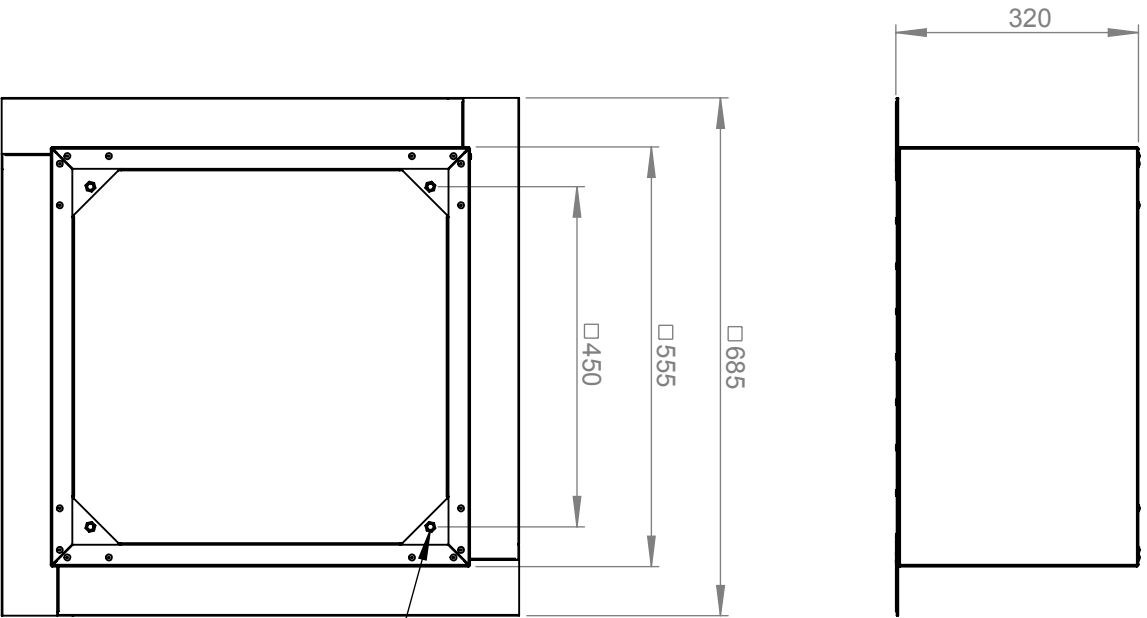
## Flat Roof Socket DSF



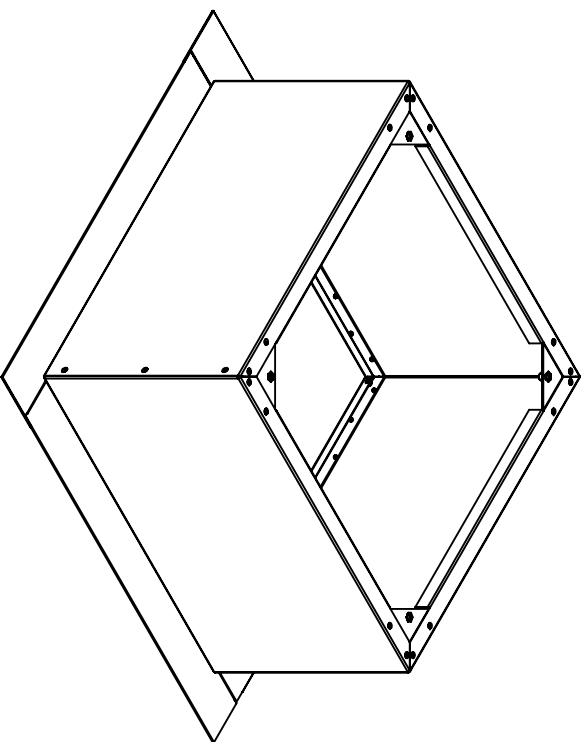
Type	ID	A mm	B mm	C mm	D mm	Weight kg
<b>DSF 220-10</b>	126170	430	300	245	320	2,9
<b>DSF 280-10</b>	126164	526	396	330	320	3,9
<b>DSF 355-10</b>	126160	685	555	450	320	5,0
<b>DSF 450-10</b>	126193	744	614	535	320	6,0
<b>DSF 560-10</b>	126237	1026	896	750	320	9,0
<b>DSF 710-10</b>	126273	1115	985	840	320	33,5

- Aluminum flat roof socket
- 30 mm sound and heat insulation

Type	ID	for Roof Fans DVA/DVA..P	DVN/DVNI	DHN	DHA/DHA..P
<b>DSF 220-10</b>	126170	190, 220, 250	225, 250	225, 250	190, 220, 250
<b>DSF 280-10</b>	126164	280, 315	280, 315	280, 315	280, 315
<b>DSF 355-10</b>	126160	355, 400	355, 400	355, 400	355, 400
<b>DSF 450-10</b>	126193	450, 500	450, 500	450, 500	450, 500
<b>DSF 560-10</b>	126237	560, 630	560, 630	560, 630	560, 630
<b>DSF 710-10</b>	126273		710		



M8 X 20 (4X)



1:10 A4 mm

Protection Mark according to ISO16016 General tolerances DIN ISO 2768-c

**ruck**<sup>air</sup>  
VENTILATOREN  
ruck Ventilatoren  
Max-Planck-Str. 5  
D-97944 Boxberg

Drawn: p.guti  
Created: a.rmezei  
Changed: p.guti

30.01.15  
13.09.12  
30.01.15  
**126160 01**

**DSF355-10+**