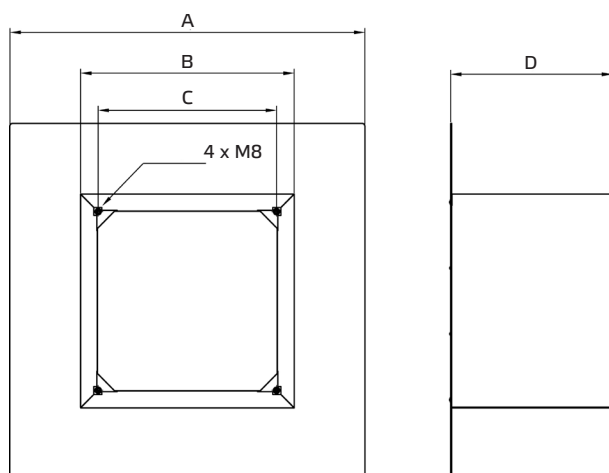


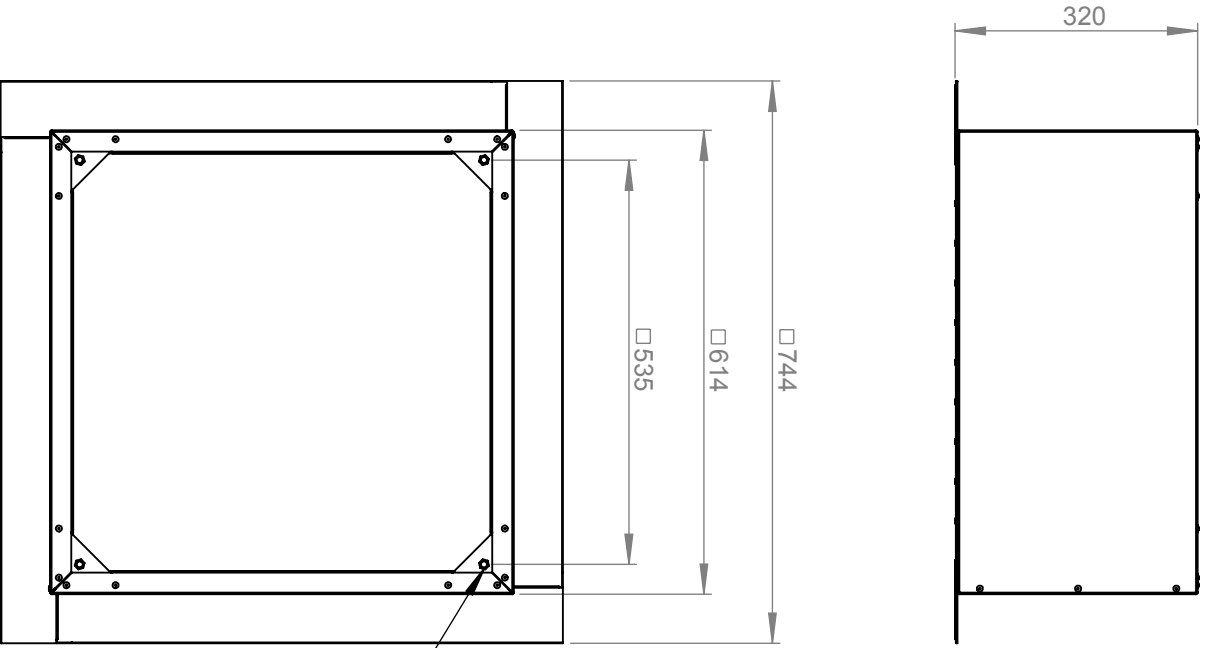
Flat Roof Socket DSF



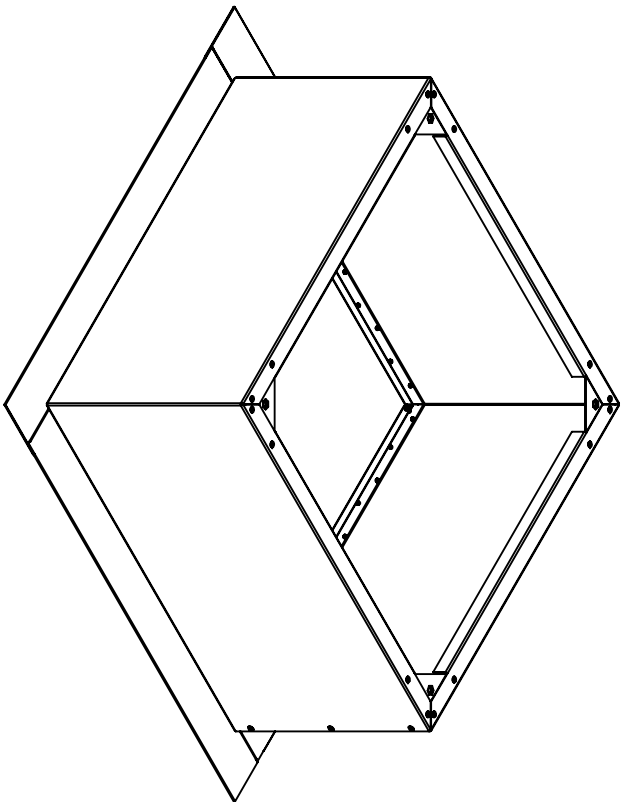
Type	ID	A mm	B mm	C mm	D mm	Weight kg
DSF 220-10	126170	430	300	245	320	2,9
DSF 280-10	126164	526	396	330	320	3,9
DSF 355-10	126160	685	555	450	320	5,0
DSF 450-10	126193	744	614	535	320	6,0
DSF 560-10	126237	1026	896	750	320	9,0
DSF 710-10	126273	1115	985	840	320	33,5

- Aluminum flat roof socket
- 30 mm sound and heat insulation

Type	ID	for Roof Fans DVA/DVA..P	DVN/DVNI	DHN	DHA/DHA..P
DSF 220-10	126170	190, 220, 250	225, 250	225, 250	190, 220, 250
DSF 280-10	126164	280, 315	280, 315	280, 315	280, 315
DSF 355-10	126160	355, 400	355, 400	355, 400	355, 400
DSF 450-10	126193	450, 500	450, 500	450, 500	450, 500
DSF 560-10	126237	560, 630	560, 630	560, 630	560, 630
DSF 710-10	126273		710		



M8 X 20 (4X)



1:10 A4 mm

Protection Mark
according to ISO16016

General tolerances
DIN ISO 2768-c

DSF450-10+

ruck Ventilatoren
Max-Planck-Str. 5
D-97944 Boxberg

Drawn: p.guti
Created: a.rmezei
Changed: p.guti

30.01.15
25.09.12
30.01.15

126193 01