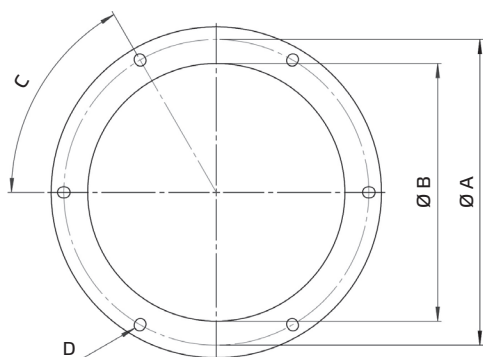


DATA SHEET

Shutter automatic DVK...10



| Type | ID | Ø A mm | Ø B mm | C mm | D mm | E mm | Weight kg |
|------------|--------|-----------|-----------|---------|-----------|---------|--------------|
| DVK 180 10 | 153000 | 213 | 182 | 6 x 60° | 6 x Ø 9,5 | 120 | 1,2 |
| DVK 250 10 | 152997 | 286 | 253 | 6 x 60° | 6 x Ø 9,5 | 162 | 2,0 |
| DVK 400 10 | 152897 | 438 | 400 | 6 x 60° | 6 x Ø 10 | 271 | 7,1 |
| DVK 560 10 | 152898 | 605 | 560 | 8 x 45° | 8 x Ø 10 | 271 | 10,5 |
| DVK 630 10 | 152899 | 674 | 630 | 8 x 45° | 8 x Ø 10 | 271 | 11,4 |

- Automatic shutter
- Sheet steel, galvanized

| Type | ID | for Roof Fans | | |
|------------|--------|--------------------|--------------------|--------------------|
| | | DVA/DVA..P | DVN/DVNI...E,D,EC | DHA/DHA..P |
| DVK 180 10 | 153000 | 190, 220, 250 | 225, 250 | 190, 220, 250 |
| DVK 250 10 | 152997 | 280, 315 | 280, 315 | 280, 315 |
| DVK 400 10 | 152897 | 355, 400, 450, 500 | 355, 400, 450, 500 | 355, 400, 450, 500 |
| DVK 560 10 | 152898 | 560, 630 | 560, 630 | 560, 630 |
| DVK 630 10 | 152899 | | 710 | |

Pressure loss curve (density 1,2 kg/m³)

