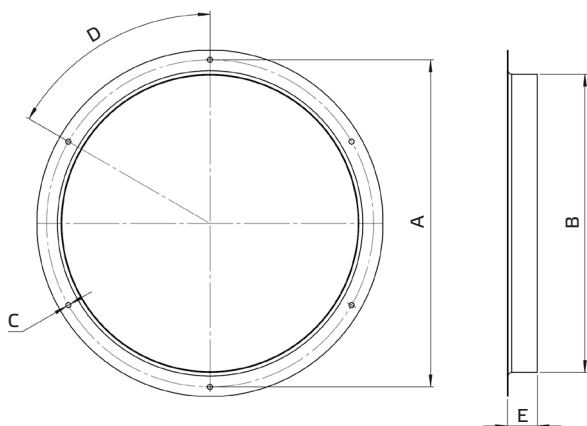


## Inlet Flange DAF



Type	ID	Ø A mm	Ø B mm	C mm	D mm	E mm	Weight kg
DAF 150	110735	213	149	6 x Ø 7	6 x 60°	35	0,3
DAF 160	137396	213	159	6 x Ø 7	6 x 60°	40	0,3
DAF 180	110744	213	179	6 x Ø 7	6 x 60°	40	0,3
DAF 200	110737	286	199	6 x Ø 7	6 x 60°	40	0,4
DAF 250	110585	286	249	6 x Ø 7	6 x 60°	40	0,4
DAF 400	109826	438	399	6 x Ø 10	6 x 60°	44	0,7
DAF 560	122288	605	559	8 x Ø 10	8 x 45°	44	1,9
DAF 710	123823	674	629	8 x Ø 10	8 x 45°	44	

- Inlet flange
- Sheet steel, galvanized

Type	ID	for Roof Fans DVA/DVA..P	DVN/DVNI	DHN	DHA/DHA..P
DAF 150	110735	190, 220, 250	225, 250	225, 250	190, 220, 250
DAF 160	137396	190, 220, 250	225, 250	225, 250	190, 220, 250
DAF 180	110744	190, 220, 250	225, 250	225, 250	190, 220, 250
DAF 200	110737	280, 315	280, 315	280, 315	280, 315
DAF 250	110585	280, 315	280, 315	280, 315	280, 315
DAF 400	109826	355, 400, 450, 500	355, 400, 450, 500	355, 400, 450, 500	355, 400, 450, 500
DAF 560	122288	560, 630	560, 630	560, 630	560, 630
DAF 710	123823		710		